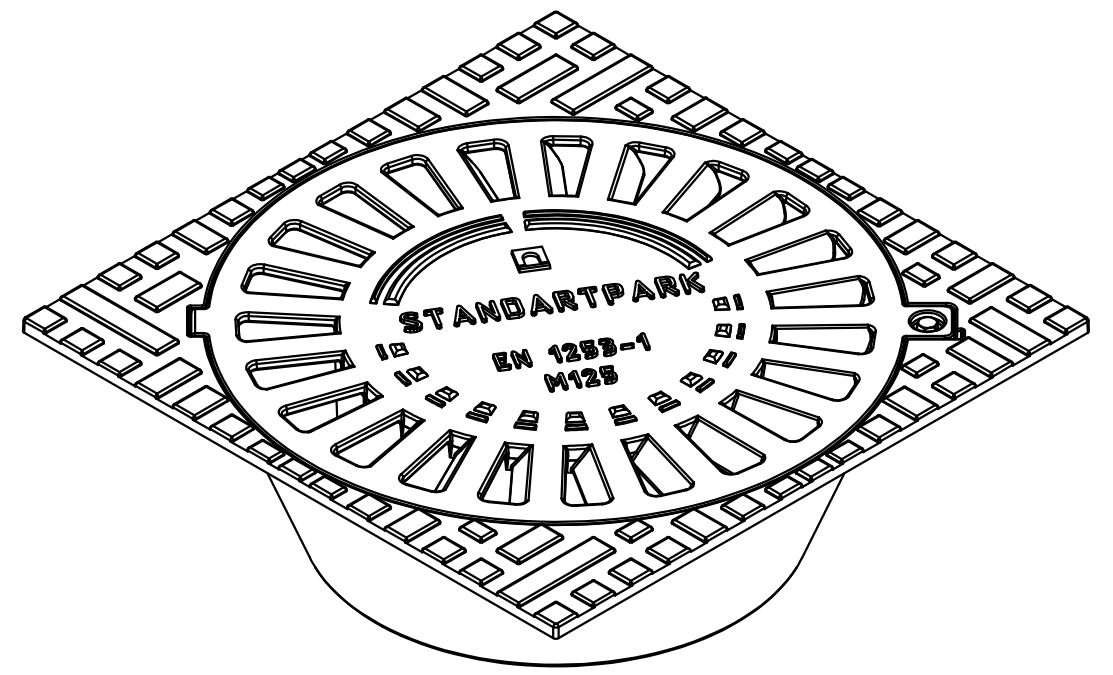
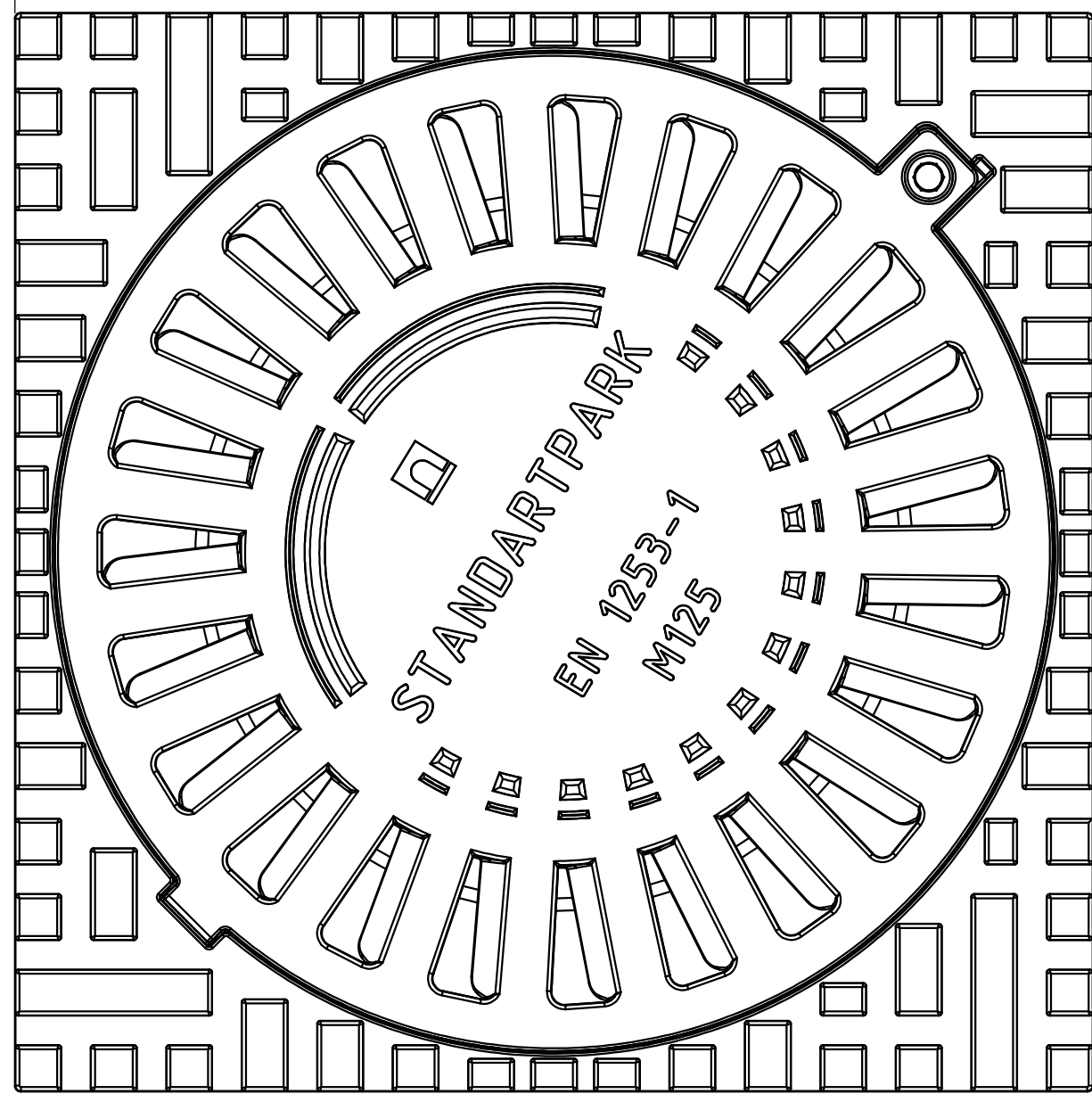


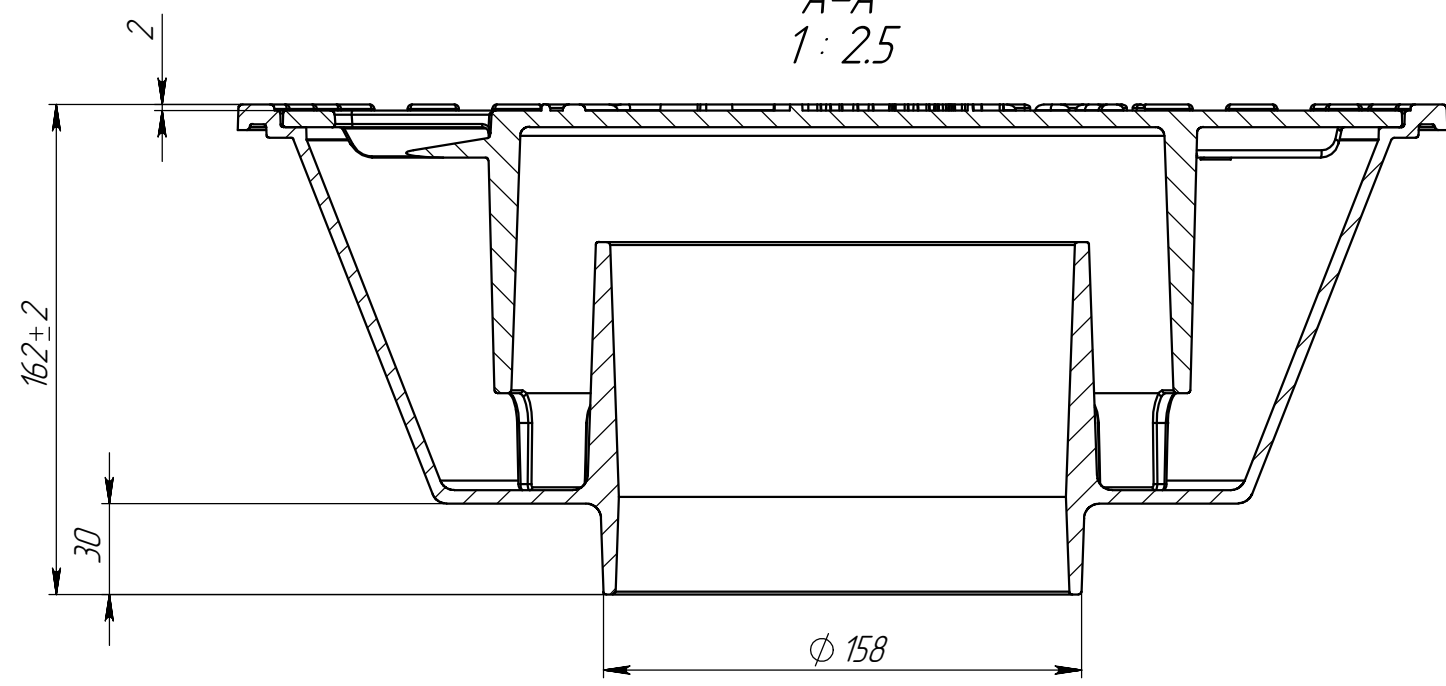
DP-16.30.13-VCH	Primary Usage
Reference No.	
Sign. and date	
Repl. Inv. No. Copy inv. No.	
Sign. and date	
Orig. Inv. No.	

DP-16.30.13-VCH

400±2



A-A
1:25



1. According to GOST 26645-85 for casting from 10 to 40 kg of 9 class of accuracy, the deviation from the mass can be up to 8%
2. The weight of the lid is 7.07 kg.

				Art. art.33354/16-3				
				DP-16.30.13-VCH				
Rev.	Sheet	Doc. No.	Sign.	Data	Trap type M125 GGG50	Let.	Weight (lb)	Scale
				04.02.2021			18.38	1:5
Dvlpd by		Prakopenka				Sheet 1 Sheets 1		
Chkd by		Kachanovskyy						
Tech. Ctrl		Tsyurak						
Reg. Doc. Ctrl		Dyka			GGG50			
Aprvd by		Dorel						