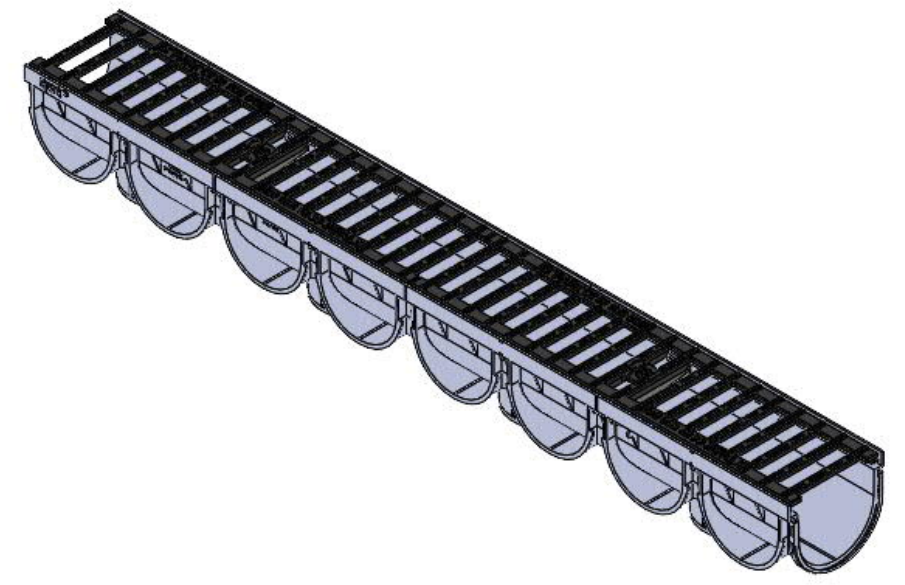
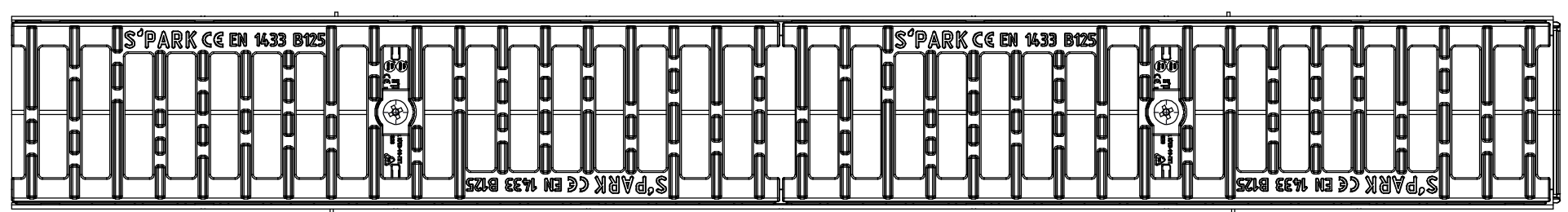
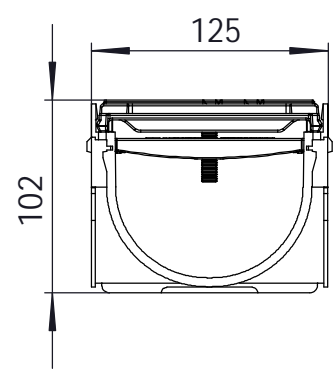
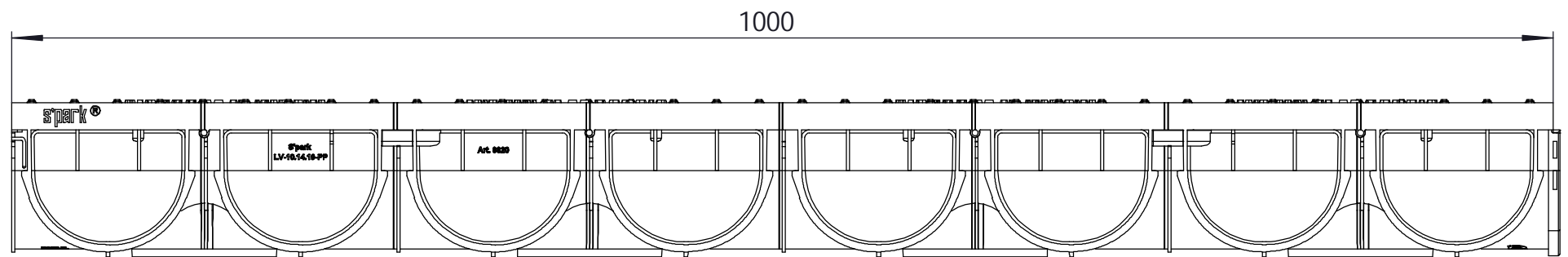


Primary Usage	Reference No.	Sign. and date	Copy inv. No.	Repl. Inv. No.	Sign. and date	Orig. Inv. No.
---------------	---------------	----------------	---------------	----------------	----------------	----------------

LV-10.14.10-PP-VCH 0882023



- 1. Area of water intake slots 550 sq cm
- 2. Deviation of the actual weight of the nominal can be up to 8%

				Art. 0882023				
				<b>LV-10.14.10-PP-VCH 0882023</b>				
Rev.	Sheet	Doc. No.	Sign.	Data	Plastic Channel S'park with Ductile Cast Iron Grating	Let.	Weight	Scale
				28.04.21	Load Class B125		4.53	1:4
					Plastic, Ductile Cast Iron	Sheet	Sheets 1	