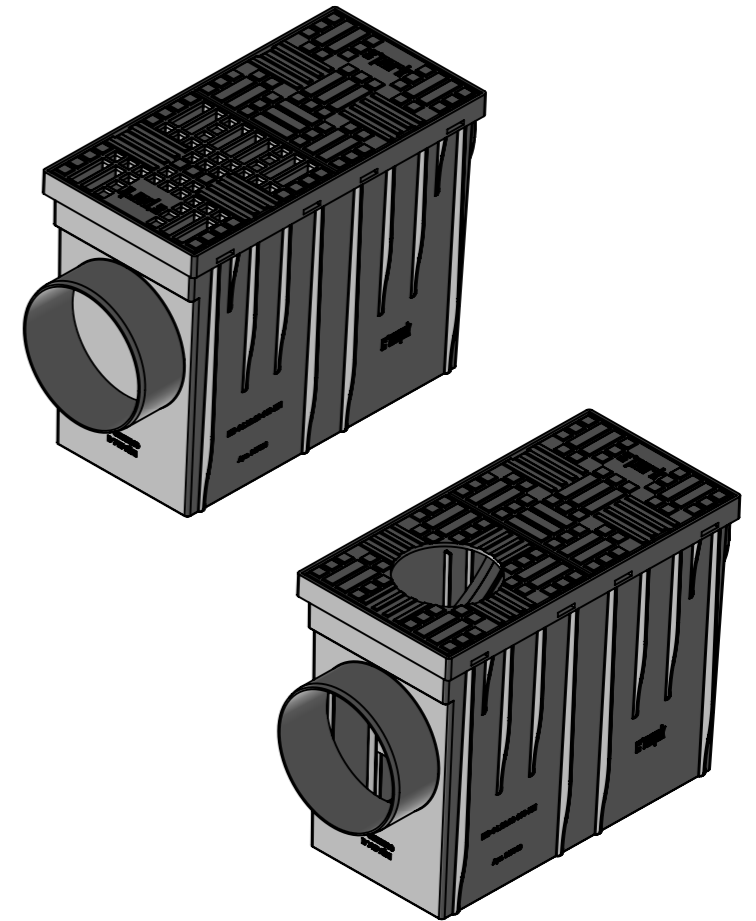
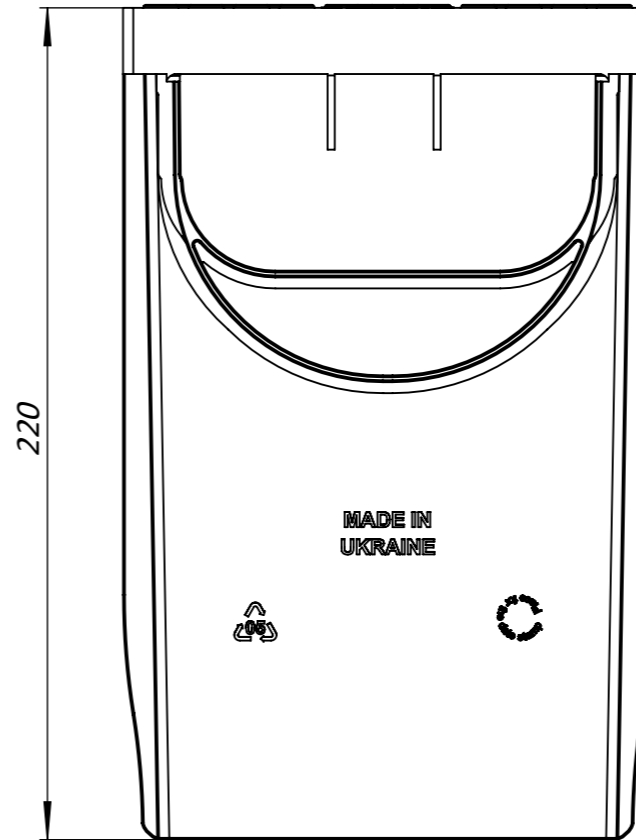
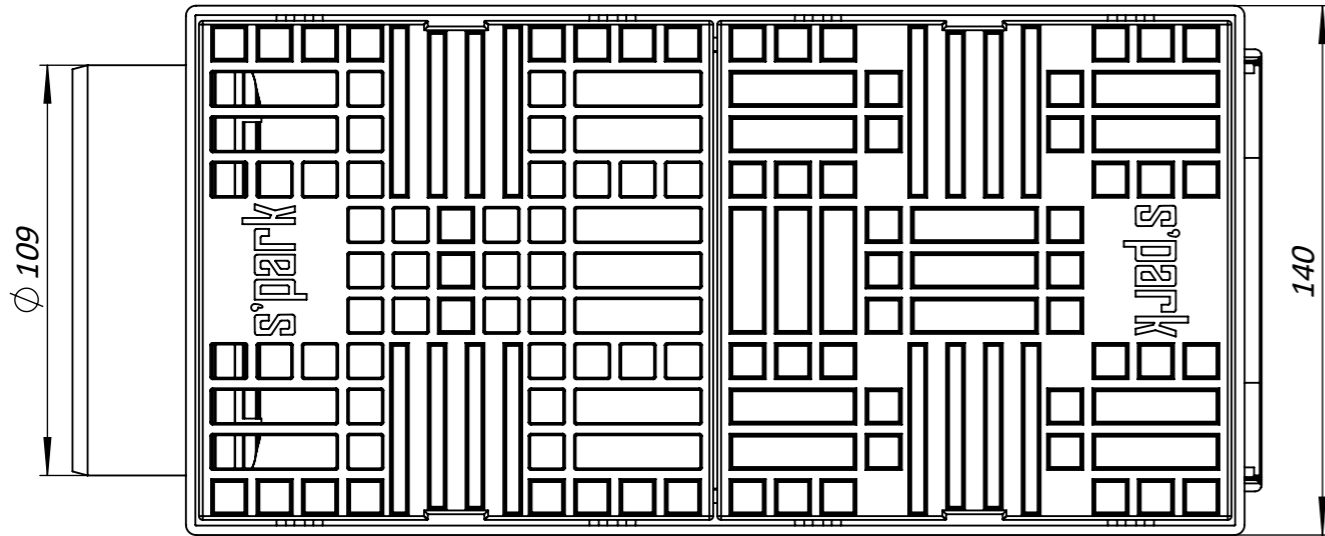


Primary Usage

Reference No.

BV-14.22.32-110-PP 817008-UA



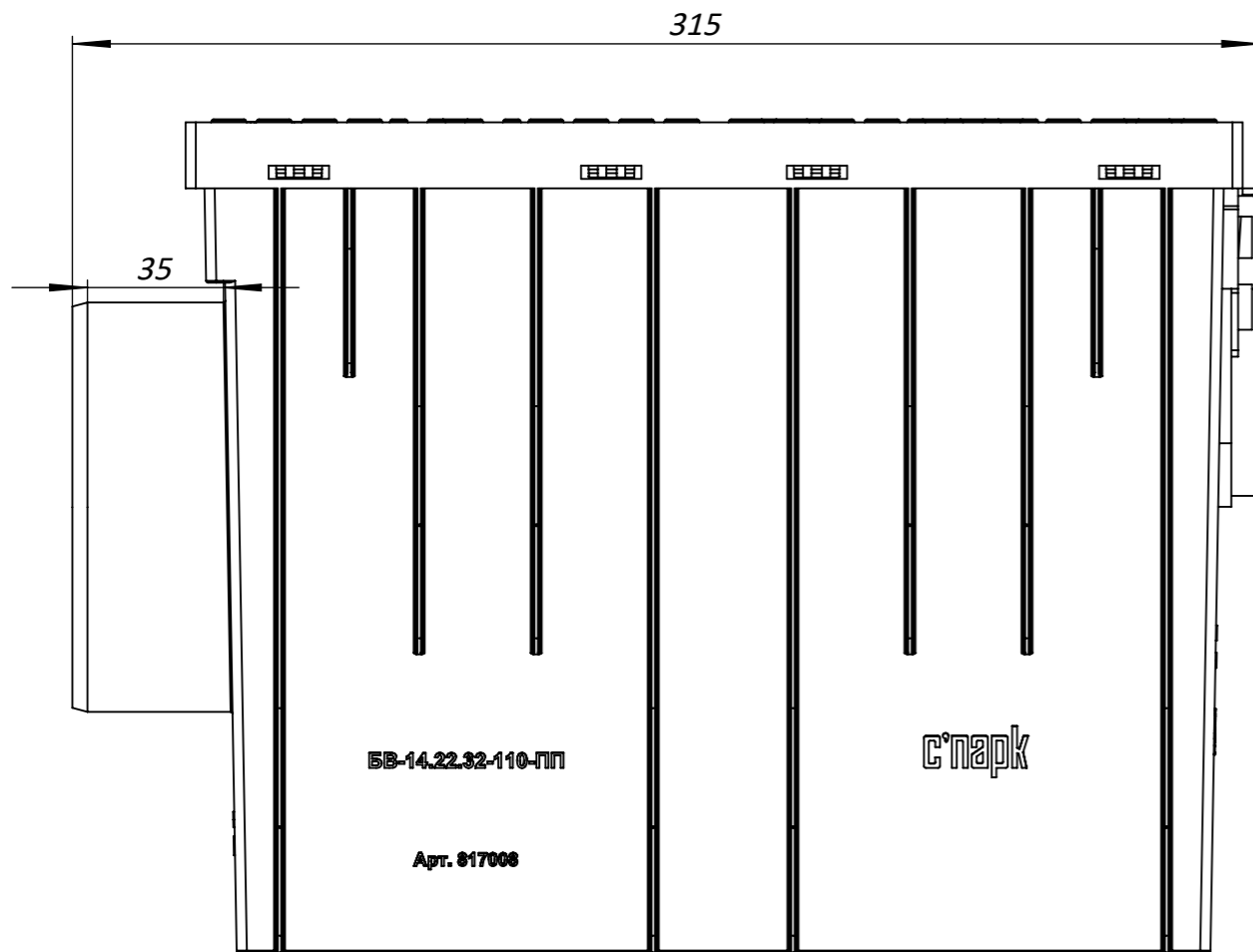
Sign. and date

Copy inv. No.

Repl. Inv. No.

Sign. and date

Orig. Inv. No.



No	Name	Color
1	Plastic Box with horizontal gutter S'park BV-14.22.32-110-PP 817008-CH UA	Black
2	Plastic Box with horizontal gutter S'park BV-14.22.32-110-PP 817008-K UA	Brown
3	Plastic Box with horizontal gutter S'park BV-14.22.32-110-PP 817008-S UA	Grey

1. Deviation of the actual weight of the nominal can be up to 10%

					Art. 817008-UA		
					BV-14.22.32-110-PP 817008-UA		
					Plastic Box with horizontal gutter S'park		
					Let.	Weight	Scale
						0.925	1:3
					Sheet	Sheets 1	
					Plastic		