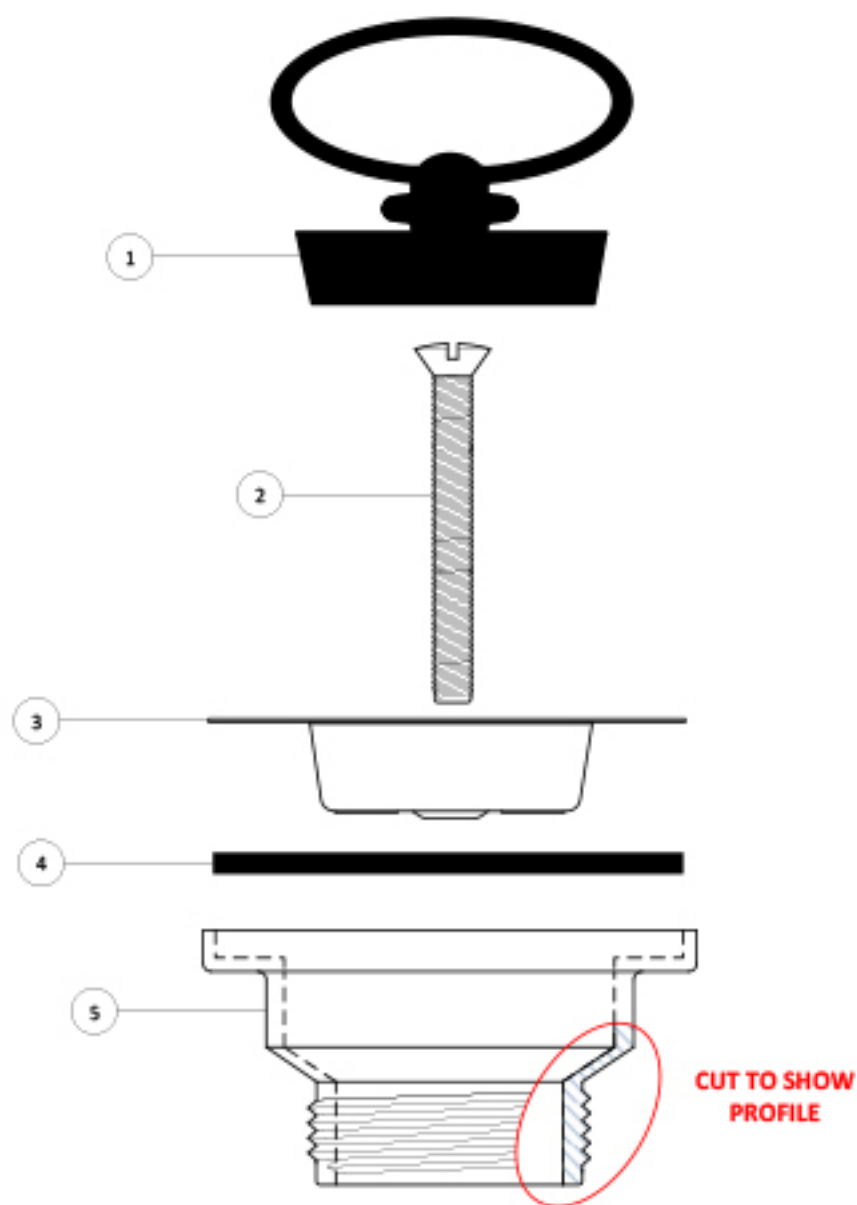


Code:**HC15S**

No.	Qty	Code	Material
1	1	BP4H	P.V.C.
2	1	P-CPIN-50MM	Stainless Steel
3	1	P-F-70P-BA	Stainless Steel
4	1	RWW6	Nitrile
5	1	216026	Polypropylene

©

McALPINE

Drawing verified
correct as of:25.08.09
T.Couper

DRAWN BY

TC

SCALE

1: 1.1

REVISED

1-Redrawn to scale (TC 26.01.21)

FILENAME

HC15S.VSD

DATE

26.01.21