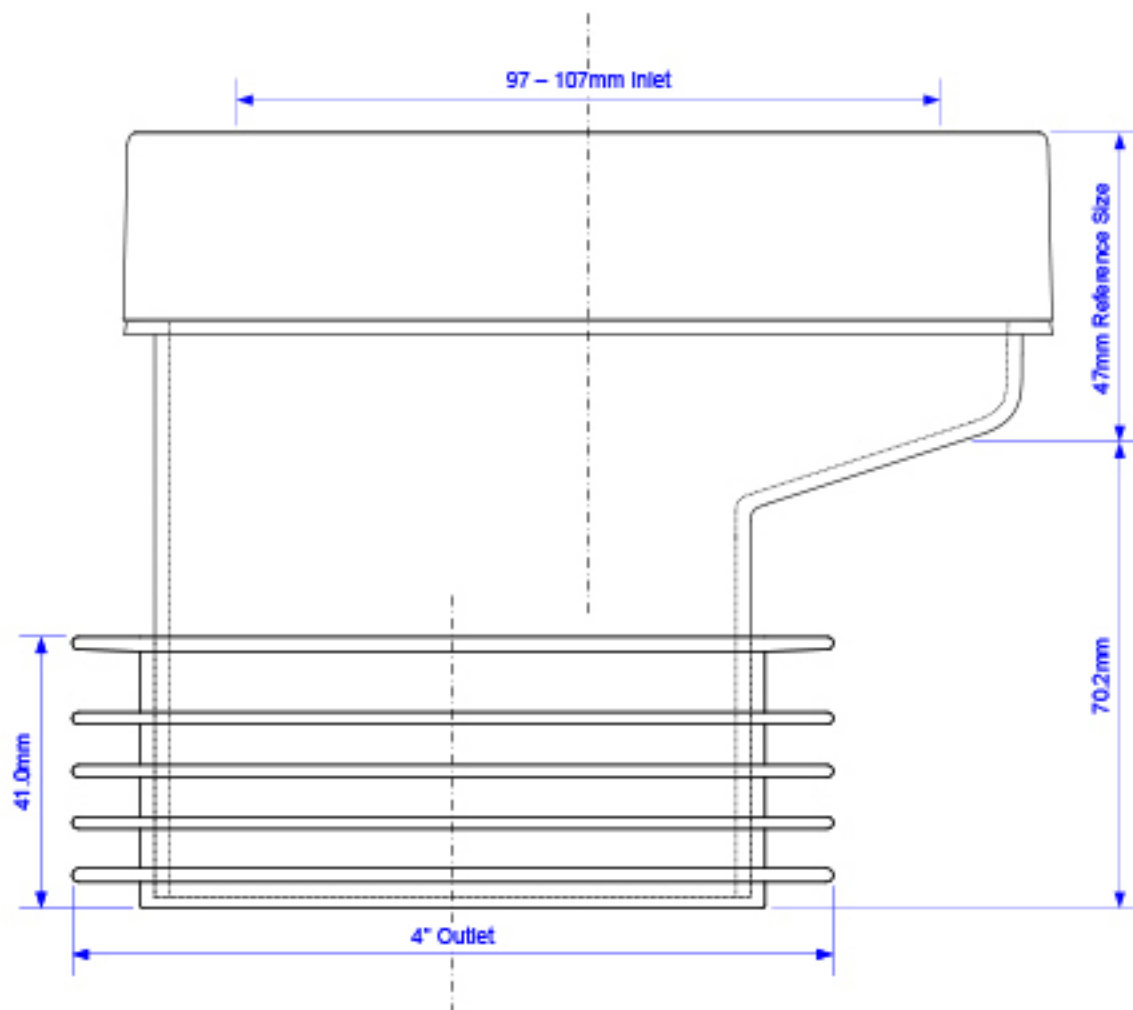


Code:

WC-CON4

As Viewed From Above to Observe The Australian Water Mark



© McALPINE
02/09/15

Drawing verified correct as of:

DRAWN BY

ANDREW SWAN

REVISED

AS07/06/18-28/10/2020

FILENAME

WC-CON4.VSD

SCALE

1: 1.15

DATE

02/09/15